

## Linear Multipurpose Luminaire

### FEATURES & SPECIFICATIONS

- Sleek and compact architectural design with color temperatures and standard 1-10V/0-10V dimming
- Flexible mounting of the LML series allows for individual or continuous row applications for surface mount, suspended mount
- Motion and daylight sensors can be combined for additional energy savings

#### Construction

- Constructed of durable 22 gauge steel body and Side cap
- Acrylic lens delivers a low-glare, diffused light distribution
- Surface, Suspended(Chain, Aircraft Cable), Continuous row mounting

#### Performance

CCT : 3500/4000/5000K

#### Lumen Output :

4,150lm(@3500K)/4,320lm(@4000K)/4,500lm(@5000K), 36W  
5,440lm(@3500K)/5,670lm(@4000K)/5,900lm(@5000K), 45W

#### Efficacy :

115lm/W(@3500K)/120lm/W(@4000K)/125lm/W(@5000K), 36W  
121lm/W(@3500K)/127lm/W(@4000K)/131lm/W(@5000K), 45W  
CRI : Minimum 80

#### Electrical

Integral, High Efficiency Driver

Input Voltage : 120-277VAC, 50/60Hz,

1-10V(36W), 0-10V(45W) dimming driver

Power Factor >0.9

#### Environmental(Operating Temperature)

Division	Pendent (Chain/Aircraft Cable)	Surface mount
36W	-4°F to +122 °F (-20°C to +50°C)	-4°F to +122 °F (-20°C to +50°C)
45W	-4°F to +104 °F (-20°C to +40°C)	-4°F to +95 °F (-20°C to +35°C)

#### Compliances

cULus listed

Meets FCC Part 15 standards

DesgnLights Consortium(DLC) Qualified

#### Warranty

Five-year limited warranty

Minimum 50,000 hours lifetime



### ORDERING INFORMATION

Example: LML45-UM-L4-DF

LML	-	UM	-	L	4	-	D	F
Product Series	Watt	Input Voltage		Form Type	Size		CCT	Lens
LML: Linear Multipurpose Luminaire	36: 36W  45: 45W	UM: 120/277V		L: Linear Type	4: 4ft		Y: 3500K N: 4000K D: 5000K	F: Frosted

\* Ta 25°C, 5000K criteria.

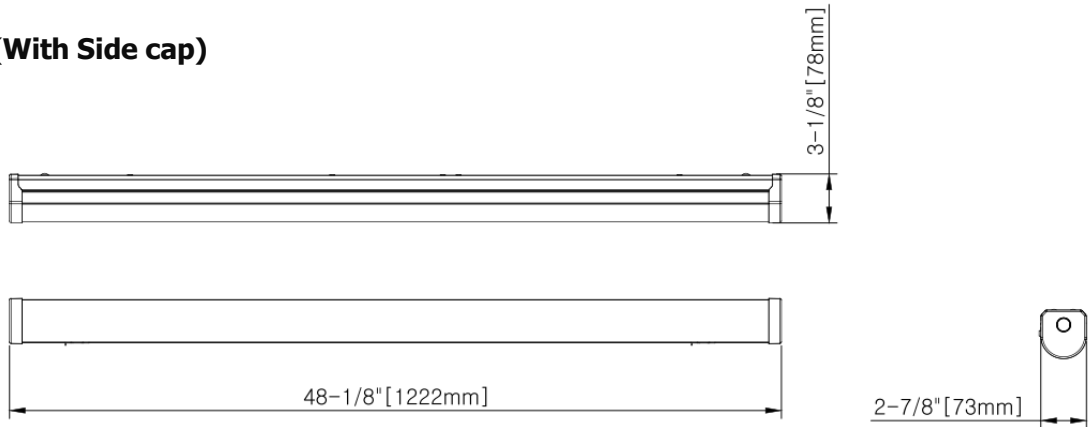
Lead times will vary depending on order volumes and options selected. Consult with your sales representative.

### Accessories / Dimension

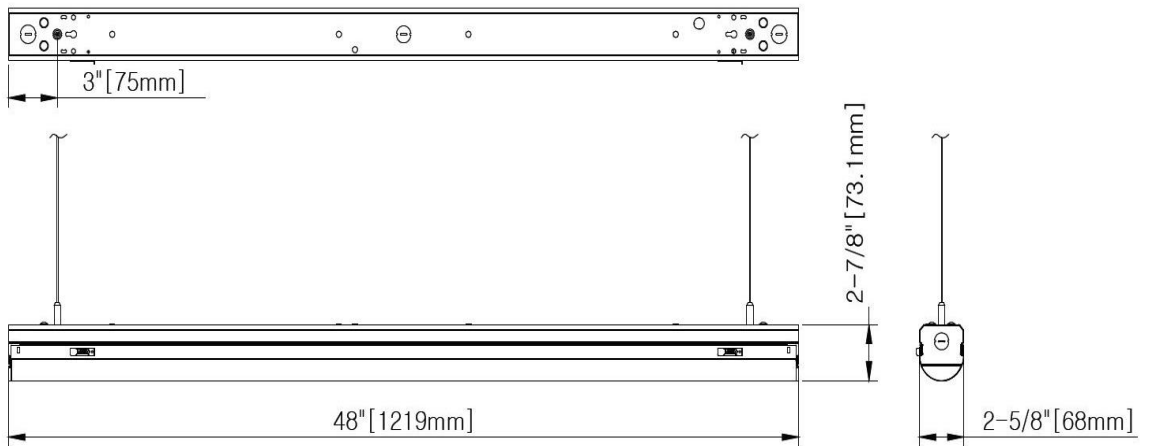
**ACC-LML-CHC1** : Chain Hanger(3ft/36") x 2ea

**ACC-LML-ACC1** : Aircraft Cable x 2ea

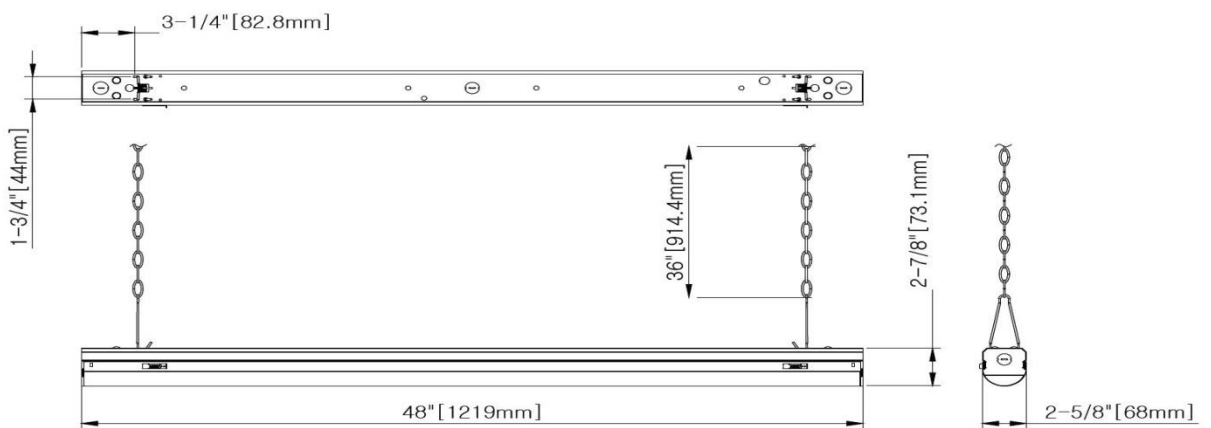
### Dimension(With Side cap)



### Chain Hanger(Without Side cap)



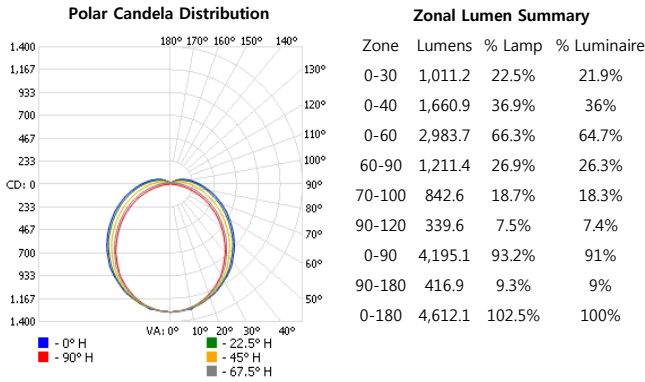
### Aircraft Cable(Without Side cap)



All dimensions are in inches (millimeters) unless otherwise indicated.  
 Dimensions may vary with options or accessories  
 Weight : Max 6.6lb/3kg(with options built-in)

### PHOTOMETRICS

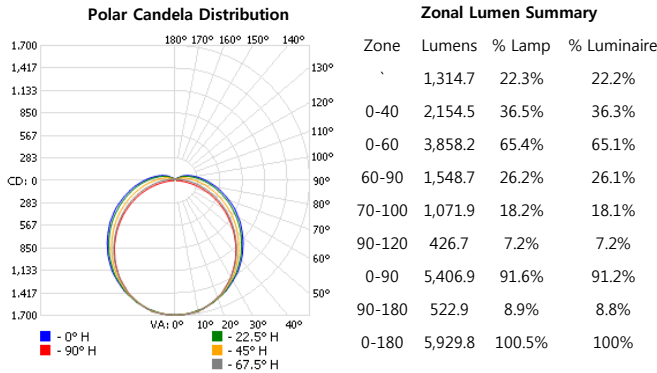
**LML36-UM-L4-DF**, 4,500 delivered lumens, tested by Dongbulightec Lab., tested in accordance to IESNA LM-79



Zonal Lumen Summary			
Zone	Lumens	% Lamp	% Luminaire
0-30	1,011.2	22.5%	21.9%
0-40	1,660.9	36.9%	36%
0-60	2,983.7	66.3%	64.7%
60-90	1,211.4	26.9%	26.3%
70-100	842.6	18.7%	18.3%
90-120	339.6	7.5%	7.4%
0-90	4,195.1	93.2%	91%
90-180	416.9	9.3%	9%
0-180	4,612.1	102.5%	100%

Coefficients Of Utilization - Zonal Cavity Method																								
Effective Floor Cavity Reflectance: 20%																								
RCC %	80				70				50				30				10				0			
	70	50	30	0	70	50	30	0	50	30	20	0	50	30	20	0	50	30	20	0	50	30	20	0
RW %	1.2	1.2	1.2	1.2	1.16	1.16	1.16	0.93	1.09	1.09	1.09	1.02	1.02	1.02	1.02	0.96	0.96	0.96	0.96	0.96	0.96	0.96	0.96	0.93
RCR: 0	1.07	1.01	0.96	0.92	1.03	0.98	0.94	0.75	0.92	0.88	0.85	0.86	0.83	0.81	0.81	0.81	0.79	0.77	0.77	0.74	0.74	0.74	0.74	0.74
1	0.97	0.87	0.8	0.73	0.93	0.85	0.78	0.61	0.79	0.74	0.69	0.75	0.7	0.66	0.66	0.66	0.63	0.63	0.63	0.6	0.6	0.6	0.6	0.6
2	0.88	0.76	0.67	0.6	0.84	0.74	0.66	0.51	0.69	0.62	0.57	0.65	0.59	0.55	0.55	0.55	0.52	0.52	0.52	0.5	0.5	0.5	0.5	0.5
3	0.8	0.67	0.58	0.51	0.77	0.65	0.56	0.44	0.61	0.54	0.48	0.58	0.51	0.46	0.46	0.46	0.45	0.45	0.45	0.42	0.42	0.42	0.42	0.42
4	0.74	0.6	0.5	0.43	0.71	0.58	0.49	0.38	0.55	0.47	0.41	0.52	0.45	0.4	0.4	0.4	0.39	0.39	0.39	0.36	0.36	0.36	0.36	0.36
5	0.68	0.54	0.44	0.38	0.65	0.52	0.43	0.33	0.49	0.42	0.36	0.47	0.4	0.35	0.35	0.35	0.34	0.34	0.34	0.31	0.31	0.31	0.31	0.31
6	0.63	0.49	0.39	0.33	0.61	0.47	0.39	0.3	0.45	0.37	0.32	0.43	0.36	0.31	0.31	0.31	0.3	0.3	0.3	0.28	0.28	0.28	0.28	0.28
7	0.58	0.44	0.35	0.29	0.56	0.43	0.35	0.26	0.41	0.34	0.28	0.39	0.32	0.27	0.27	0.27	0.27	0.27	0.27	0.25	0.25	0.25	0.25	0.25
8	0.55	0.41	0.32	0.26	0.53	0.4	0.31	0.24	0.38	0.3	0.25	0.36	0.29	0.25	0.25	0.25	0.24	0.24	0.24	0.22	0.22	0.22	0.22	0.22
9	0.51	0.37	0.29	0.24	0.49	0.37	0.29	0.22	0.35	0.28	0.23	0.33	0.27	0.22	0.22	0.22	0.22	0.22	0.22	0.2	0.2	0.2	0.2	0.2
10																								

**LML45-UM-L4-DF**, 5,900 delivered lumens, tested by Dongbulightec Lab., tested in accordance to IESNA LM-79



Zonal Lumen Summary			
Zone	Lumens	% Lamp	% Luminaire
0-30	1,314.7	22.3%	22.2%
0-40	2,154.5	36.5%	36.3%
0-60	3,858.2	65.4%	65.1%
60-90	1,548.7	26.2%	26.1%
70-100	1,071.9	18.2%	18.1%
90-120	426.7	7.2%	7.2%
0-90	5,406.9	91.6%	91.2%
90-180	522.9	8.9%	8.8%
0-180	5,929.8	100.5%	100%

Coefficients Of Utilization - Zonal Cavity Method																								
Effective Floor Cavity Reflectance: 20%																								
RCC %	80				70				50				30				10				0			
	70	50	30	0	70	50	30	0	50	30	20	0	50	30	20	0	50	30	20	0	50	30	20	0
RW %	1.18	1.18	1.18	1.18	1.14	1.14	1.14	0.92	1.07	1.07	1.07	1	1	1	1	0.94	0.94	0.94	0.94	0.92	0.92	0.92	0.92	0.92
RCR: 0	1.05	1	0.95	0.9	1.02	0.96	0.92	0.73	0.9	0.87	0.83	0.85	0.82	0.79	0.79	0.8	0.78	0.75	0.75	0.72	0.72	0.72	0.72	0.72
1	0.95	0.86	0.78	0.72	0.91	0.83	0.76	0.6	0.78	0.72	0.67	0.73	0.69	0.65	0.65	0.69	0.65	0.62	0.62	0.59	0.59	0.59	0.59	0.59
2	0.86	0.75	0.66	0.59	0.83	0.73	0.65	0.51	0.68	0.61	0.56	0.64	0.59	0.54	0.54	0.61	0.56	0.52	0.52	0.49	0.49	0.49	0.49	0.49
3	0.79	0.66	0.57	0.5	0.76	0.64	0.56	0.43	0.6	0.53	0.47	0.57	0.51	0.46	0.46	0.54	0.48	0.44	0.44	0.42	0.42	0.42	0.42	0.42
4	0.72	0.59	0.49	0.43	0.7	0.57	0.48	0.38	0.54	0.46	0.41	0.51	0.45	0.39	0.39	0.48	0.43	0.38	0.38	0.36	0.36	0.36	0.36	0.36
5	0.67	0.53	0.44	0.37	0.64	0.51	0.43	0.33	0.49	0.41	0.35	0.46	0.39	0.34	0.34	0.44	0.38	0.33	0.33	0.31	0.31	0.31	0.31	0.31
6	0.62	0.48	0.39	0.32	0.59	0.47	0.38	0.29	0.44	0.37	0.31	0.42	0.35	0.3	0.3	0.4	0.34	0.3	0.3	0.27	0.27	0.27	0.27	0.27
7	0.57	0.44	0.35	0.29	0.55	0.43	0.34	0.26	0.4	0.33	0.28	0.38	0.32	0.27	0.27	0.37	0.31	0.26	0.26	0.24	0.24	0.24	0.24	0.24
8	0.54	0.4	0.32	0.26	0.52	0.39	0.31	0.24	0.37	0.3	0.25	0.35	0.29	0.24	0.24	0.34	0.28	0.24	0.24	0.22	0.22	0.22	0.22	0.22
9	0.5	0.37	0.29	0.23	0.49	0.36	0.28	0.21	0.34	0.27	0.23	0.33	0.27	0.22	0.22	0.31	0.26	0.22	0.22	0.2	0.2	0.2	0.2	0.2
10																								