

## FEATURES & SPECIFICATIONS

LumiDas-SL 80W replaces conventional Metal Halide, Sodium and Mercury vapor lamps for industrial facilities such as factory, distribution center and warehouse. The Die Casting Aluminum Heat Sink technology has not only light weight and maximized area to contact with air. This effective heat systems which make easy to dissipate the heat outside guarantee outstanding reliability, color consistence and lumen maintenance.

### Construction

Powder coated SPCC Secondary Reflector(Optional)  
 Aluminum Die casting Body and MOSFIC  
 Powder coated SPCC Junction Box  
 SUS Carabiner and Chain  
 3.2T Tempered Glass  
 Weight : 3.7Kg(8.1lb)

### Performance

Lumen Output : 8,000lm  
 Efficacy : 100lm/W  
 CRI : 80+

### Electrical

Integral, High Efficiency Driver.  
 Universal Input Voltage (120-277V, 50/60Hz)  
 Power Factor: >0.9  
 Surge Protection : 10kV

### Environmental

IP65 : Optics and LED Driver  
 Operating Temperature : -25°C to 50°C(-25°F to 122 °F)  
 Operation Humidity : 5 to 95%

### Listing

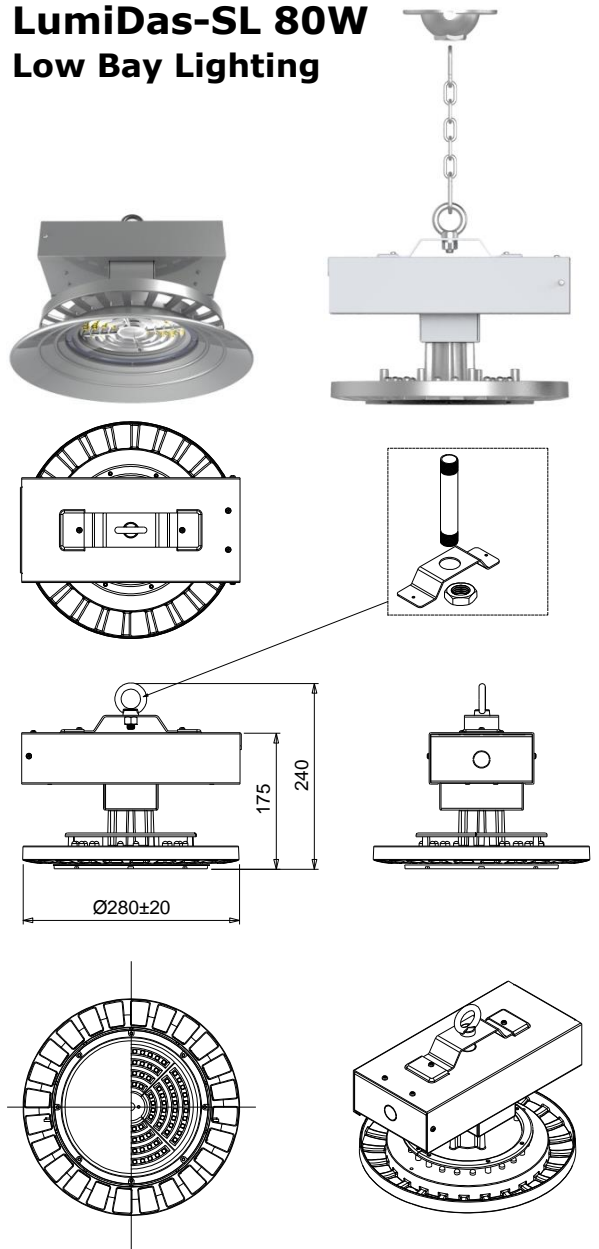
UL(cUL) Listed  
 FCC  
 DesignLights Consortium



### Warranty

5 YEARS limited warranty.  
 Minimum 50,000 hours lifetime

## LumiDas-SL 80W Low Bay Lighting



## ORDERING INFORMATION

Example: SL80N-UM-PFB(DD)

Model Name	Power Consumption	Input Voltage	Installation	( CCT	Option Optic	- S )
SL Super	80N 80W	UM (120/277V)	PFB Pendant type	D : 5,000K	W 60° : Wide	Secondary Reflector
HighBay LED Light			Fixed Type Built-in Type		D 95° : Diffused	Z : 0-10V Dimming

Lead times will vary depending on order volumes and options selected. Consult with your sales representative.

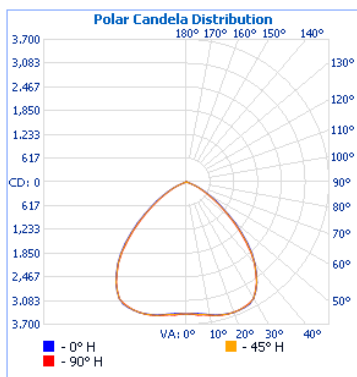
# LumiDas-SL 80W

## Low Bay Lighting

### PHOTOMETRICS

**SL80-UM-PFB(DD)**, 8,000 delivered lumens, tested by Dongbu Lightec Lab, tested in accordance to IESNA LM-79

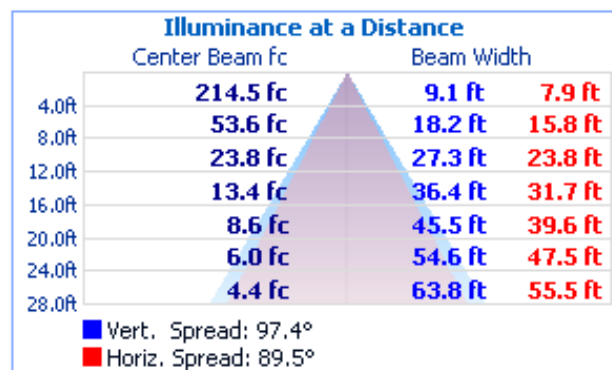
#### POLAR GRAPH



#### LUMENS PER ZONE

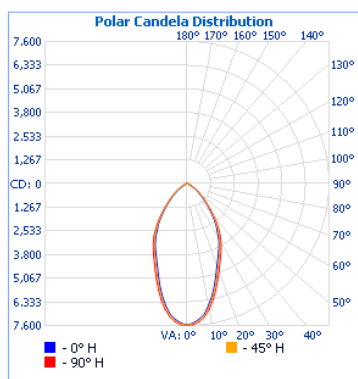
Lumens Per Zone		
Zone	Lumens	% Total
0-10	331.1	4.1%
10-20	1,012.7	12.6%
20-30	1,651.3	20.6%
30-40	1,972.4	24.6%
40-50	1,687.7	21.0%
50-60	974.3	12.1%
60-70	362.4	4.5%
70-80	27.5	0.3%
80-90	3.7	0.0%

#### CONE DIAGRAM at 28 Ft



**SL80-UM-PFB(DW)**, 8,000 delivered lumens, tested by Dongbu Lightec Lab, tested in accordance to IESNA LM-79

#### POLAR GRAPH



#### LUMENS PER ZONE

Lumens Per Zone		
Zone	Lumens	% Total
0-10	681.5	8.7%
10-20	1,605.7	20.6%
20-30	1,893.6	24.3%
30-40	1,735.0	22.2%
40-50	1,124.8	14.4%
50-60	562.7	7.2%
60-70	183.3	2.3%
70-80	14.6	0.2%
80-90	3.3	0.0%

#### CONE DIAGRAM at 28 Ft

